

# Toucan-QM57

## COM Express Module

### Intel® Core™ i7 Processor



## Features

Intel Core i7 Processor, 2.53 GHz max.

8 GB DDR3 ECC RAM maximum. Supports rugged RS-DIMMs.

2 DisplayPorts, LVDS (dual channel)

1 x Gigabit LAN

8 x USB 2.0 host ports

4 x SATA with RAID support

## Specifications

<b>Board Format</b>	COM Express (Type 2, Rev. 2.0) 95.00 x 125.00 mm
<b>Processor</b>	Intel Core i7 processor i7 – 620UE, 1.06 GHz, Dual Core i7 – 610E, 2.53 GHz, Dual Core
<b>Chipset</b>	Mobile Intel QM57 Express
<b>RAM</b>	8 GB DDR3 ECC RAM maximum - 4 GB soldered - 4 GB RS-DIMM module optional
<b>RAM Clock</b>	i7-610E: DDR3-1066 i7-620UE: DDR3-800
<b>Graphics</b>	Intel HD Graphics 2560 x 1920 pixels
<b>VGA</b>	Yes
<b>DisplayPort</b>	2 (see note)
<b>SDVO</b>	Configurable (see note)
<b>LVDS</b>	18, 24 bit Dual channel, up to 1600 x 1200 px Interleave modus: 1900 x 1200
<b>USB</b>	8xUSB 2.0 hosts
<b>Ethernet</b>	Gigabit LAN - Integrated in chipset, with 82577 PHY
<b>SATA</b>	4 ports Support for RAID 0, 1, 5, 10
<b>PATA</b>	1 UDMA6 port, via JMB368

NOTE: SDVO & DP1 are alternatives to PCIe x16

<b>Audio</b>	Intel HD Audio, external Codec required
<b>Watchdog</b>	Yes (LEMT)
<b>PCI Express Bus</b>	- 6 x1 lanes (PCIe 1.0a) - 1 x16 lane, configurable as 2 x8 lanes (see note) (2.5Gbit/s, PCIe 2.0 compliant)
<b>PCI Bus</b>	Yes, 3.3 V
<b>LPC Bus</b>	Yes
<b>SPI Bus</b>	Yes
<b>SMB Bus</b>	Yes
<b>Status LED</b>	Power, power mode, SMC activity, watchdog
<b>Power Supply</b>	5 ... 14 V only
<b>Power Consumption</b>	25 – 45 watts, depending on processor type
<b>Cooling</b>	Active (Passive for i7-620UE processor) Heatspreader available
<b>MTBF</b>	t.b.d.
<b>Operating temperature</b>	0°C...+60°C (commercial, all versions) -20°C...+60°C (industrial, all versions) -40°C...+85°C (extended, optional)
<b>BIOS</b>	Phoenix BIOS BIOS parameters are saved in Flash
<b>LEMT</b>	Yes, Condition Monitoring
<b>Supported OS</b>	Windows, Linux

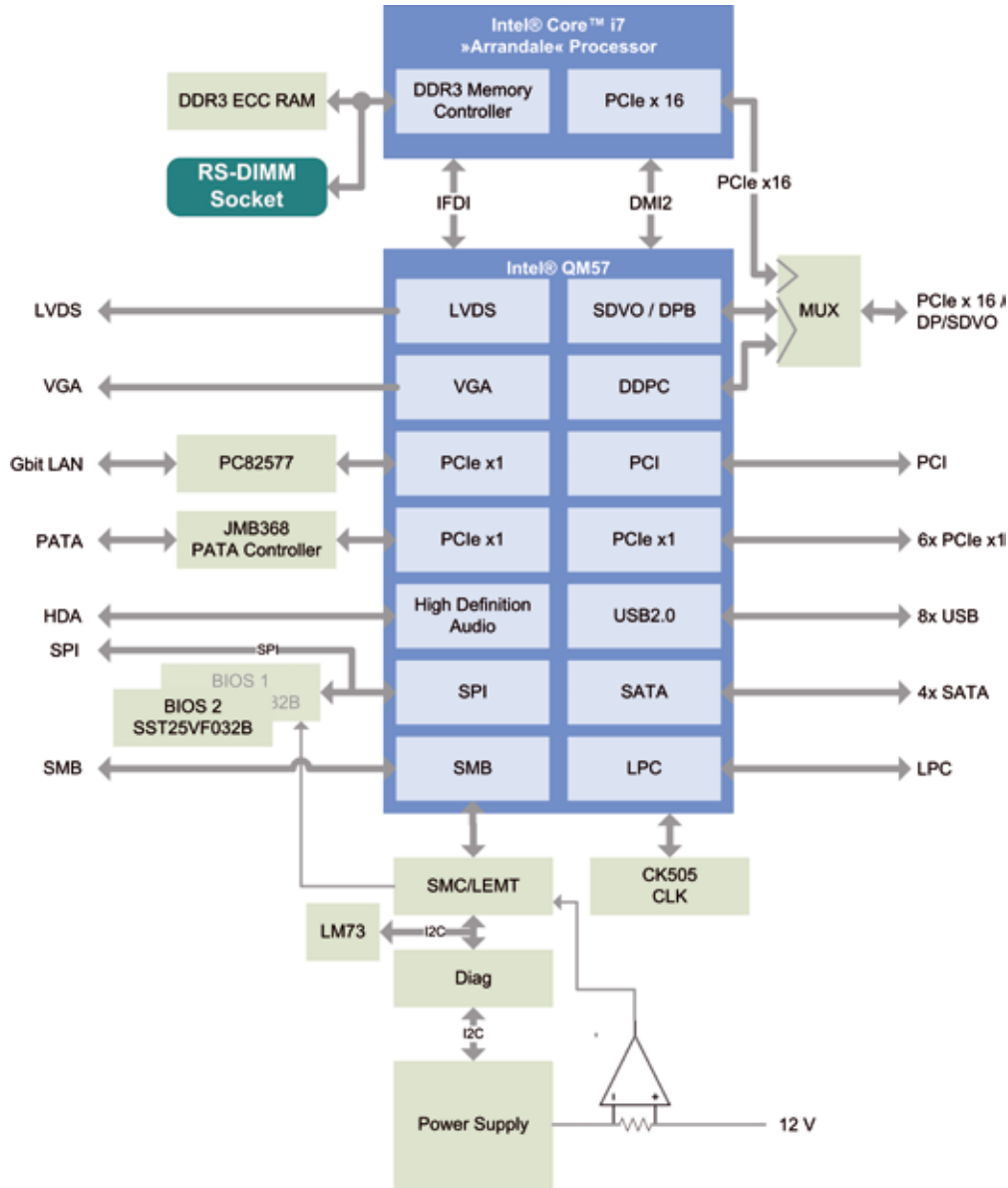
# Toucan-QM57

## COM Express Module

### Intel® Core™ i7 Processor



## Block Diagram



### Ordering Information

Ordering Number	Description
t09-0014-10	